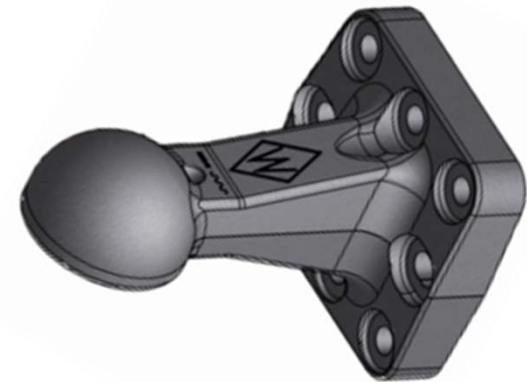
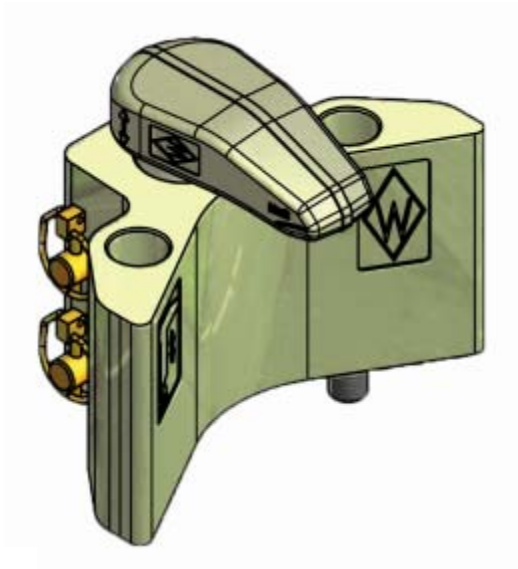


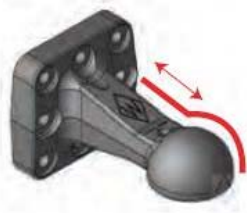


Why a ball coupling ?

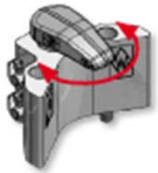




- K80 ball is replaceable up to 2x
- Wider working angle



- Maximum space on calottis to move on



- 360 ° rotation for a better view from the tractor when coupling.
- Adjustable without any tools



- Full width drawbar support



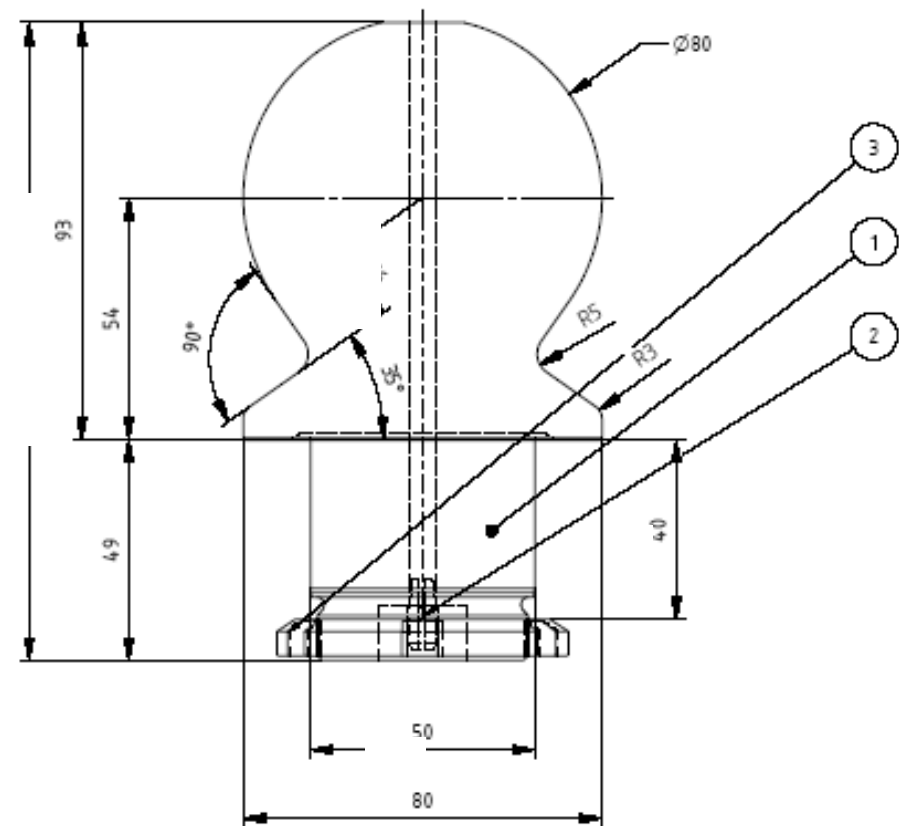
Market and Customer driven Growth

EXPECT > MORE



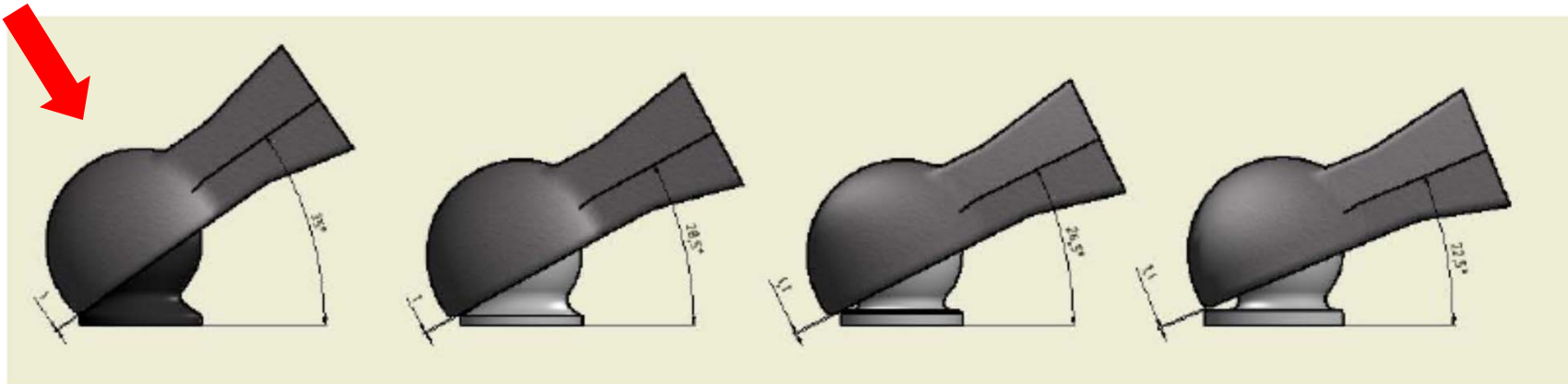
Walterscheid K80 Ball

- Wider working angles
- Replaceable up to 2x

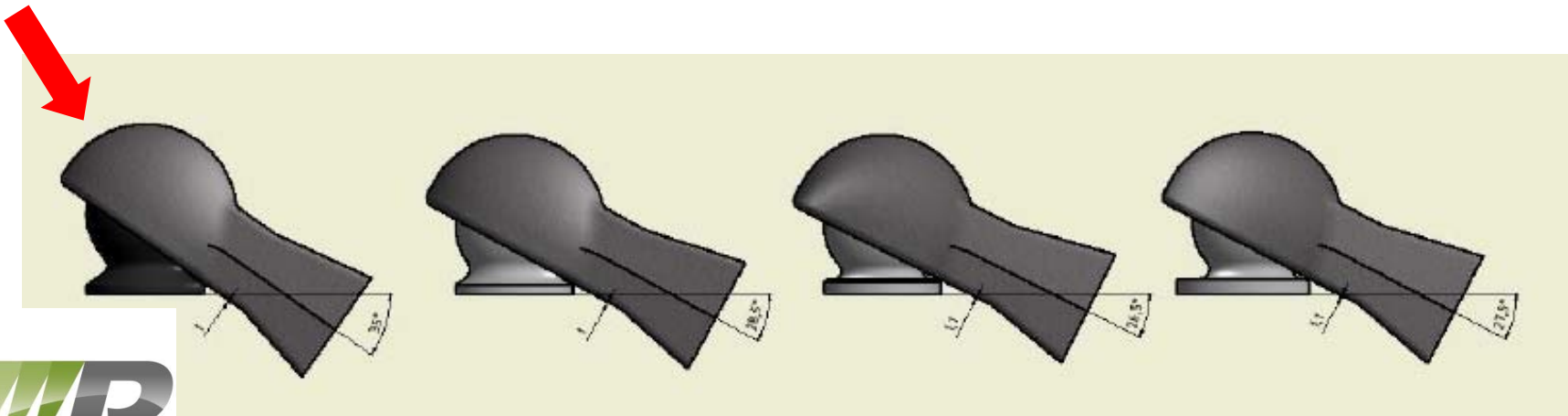




Working Angles



Wider angles on the market

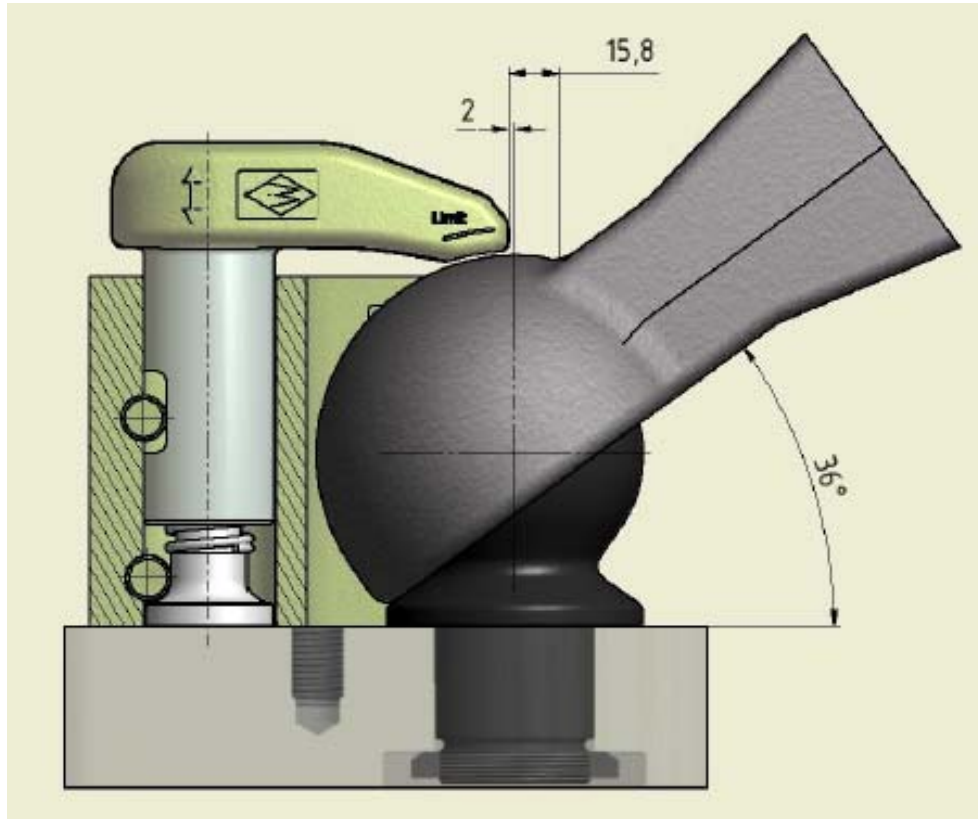


Market and Customer driven Growth

EXPECT > MORE



Working Angles



Maximum angles up to 36 °

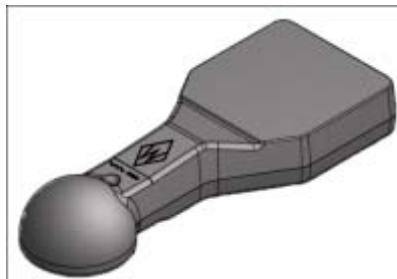
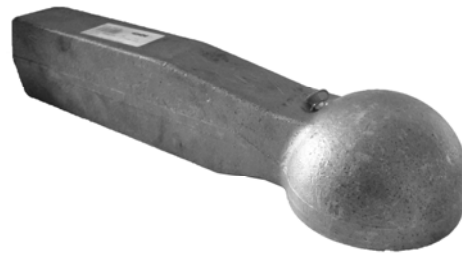


Market and Customer driven Growth

EXPECT > MORE



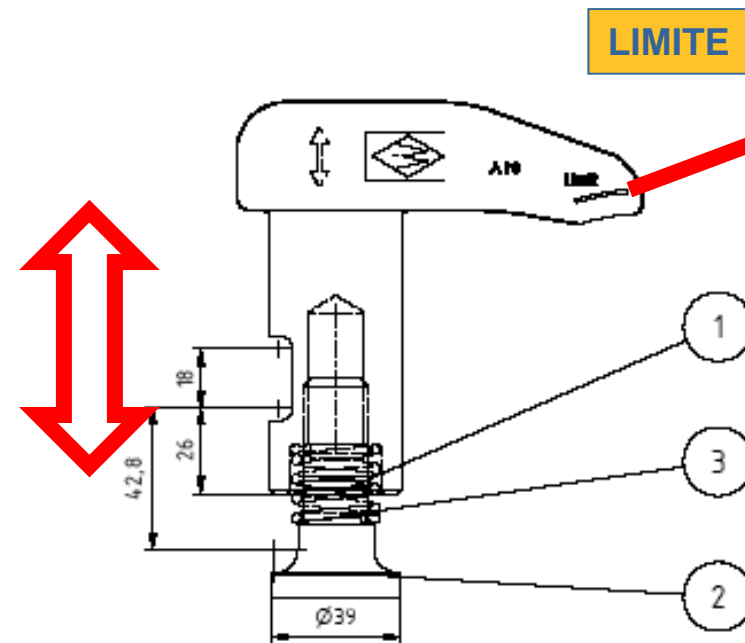
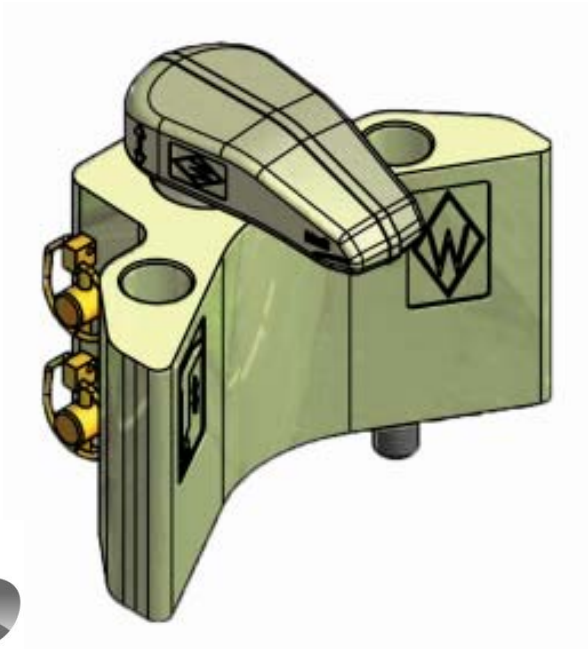
Calotte





Walterscheid K80 coupling holder

- > Forged holder to hold negative weight up to 10t
- > No tools required to adjust.
- > 360° rotation





No tools required to adjust

